



Technical Information BM Top Loading Bottle Coolers



August 2008

Overview

The BM range of stainless steel top loading bottle coolers are available in 3 width variations, 700mm, 1000mm and 1400mm with a stainless steel and painted grey mild steel interior. Each cooler comes complete with an innovative shelving system as standard, which allows easy access to the lower storage area.

Designed for underbar use, the BM range can be ordered with either a standard worktop, suitable for any bar environment; or with the optional Bartender® worktop, allowing perfect integration into new or existing bars that feature IMC's Bartender® range of modular stainless steel workstations.

All models feature forced air cooling for rapid and efficient pull down times, while a revolutionary frame design ensures a robust construction, long term reliability and low operating costs.

Product Conformity

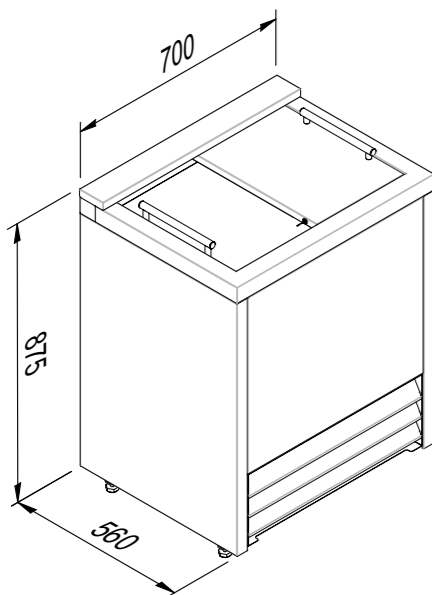
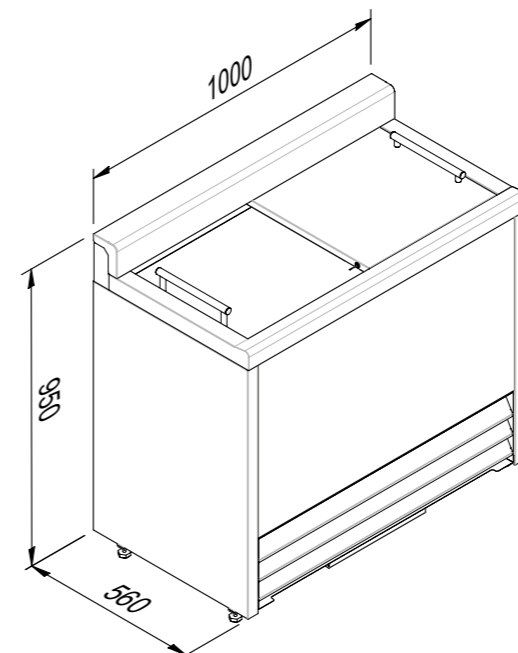
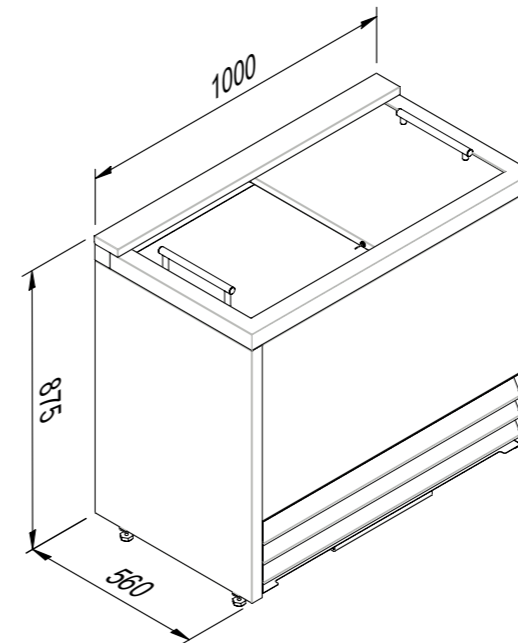
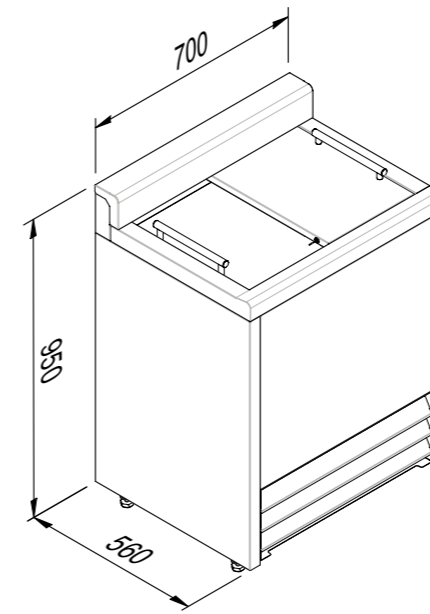
BM top loading bottle coolers conform to the following directives:

- Machinery Directive 98/37/EC
- Low Voltage Directive 2006/95/EC
- Electromagnetic Compatibility Directive 2004/108/EC.

Every BM top loading bottle cooler is manufactured in accordance with the following transposed harmonised European Standards:

- EN ISO 12100-1 : 2003, Safety of machinery; basic concepts, general principles for design – Part 1: Basic terminology, methodology.
- EN ISO 12100-2 : 2003, Safety of machinery; basic concepts, general principles for design – Part 2: Technical principles and specifications.
- EN 60204-1 : 2006, Safety of machinery; Electrical equipment of machines - Part 1: General requirements
- EN 61000-6-1 : 2001 Electromagnetic compatibility (EMC).
Generic standards Immunity for residential, commercial and light-industrial environments
- EN 61000-6-3 : 2001 Electromagnetic compatibility (EMC) - Generic standard.
Emission standard for residential, commercial and light-industrial environments

Product Details



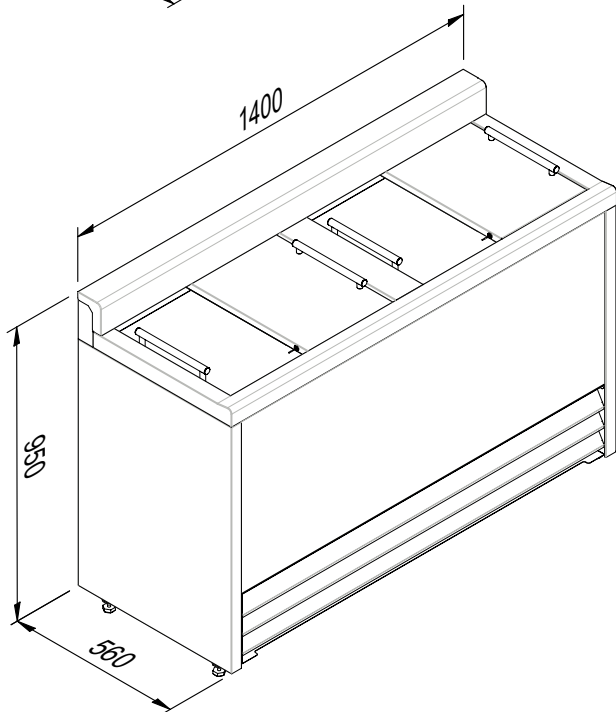
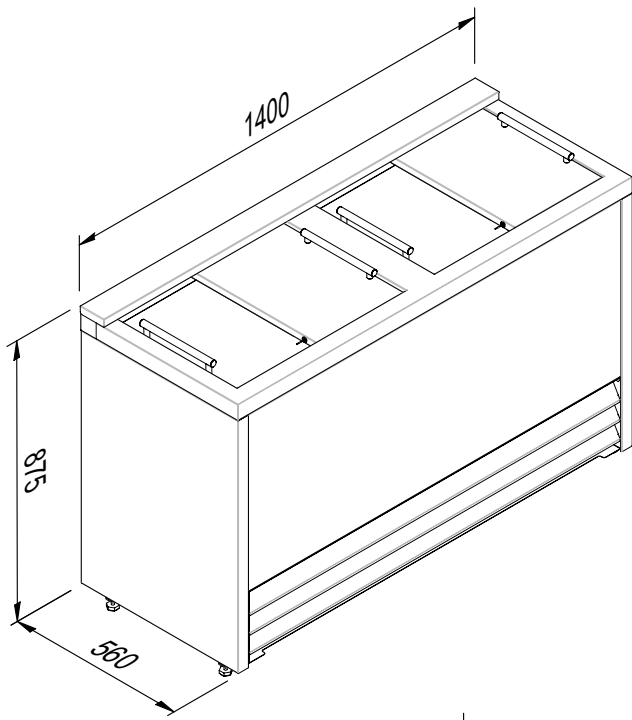
Standard Features	Optional Features
<ul style="list-style-type: none"> • Forced air cooling • Parallel sliding doors • Bottle shelves • Bottle opener and catcher • Door locks • Vertical bottle stocking • Electronic controller • Condensate evaporation 	<ul style="list-style-type: none"> • Bartender front and splashback • Glazed doors • Lighting • Bottle baskets • Bottle dividers

Standard Worktop	BM70 STD	
External Dimensions (h x w x d)	875mm x 700mm x 560mm	
Packing Dimensions (h x w x d)	1100mm x 740mm x 600mm	
Weight (Kg) - Unpacked	70	
Weight (Kg) - Packed	75	
Storage Capacity (330 ml Bottles)	140	
Internal Operating Temp (°C)	+ 4 (±2)	
Ambient Temp (°C)	upto + 32	
Voltage (Volts)	230	
Frequency (Hz)	50	
Phase	Single	
Current Draw (Amps)	1.5	
Refrigerant Type	R134 A	
Product Codes	Part No	
Solid Door	F73/070 SS	
Glazed Door	F73/071 SS	
Options	Qty Required	Part No
Bottle Basket	4	A12/089
Divider Pack	1	S73/010
Internal Light Pack	1	VS321

Bartender Worktop	BM70 BT	
External Dimensions (h x w x d)	950mm x 700mm x 560mm	
Packing Dimensions (h x w x d)	1100mm x 740mm x 600mm	
Weight (Kg) - Unpacked	70	
Weight (Kg) - Packed	75	
Storage Capacity (330 ml Bottles)	140	
Internal Operating Temp (°C)	+ 4 (±2)	
Ambient Temp (°C)	upto + 32	
Voltage (Volts)	230	
Frequency (Hz)	50	
Phase	Single	
Current Draw (Amps)	1.5	
Refrigerant Type	R134 A	
Product Codes	Part No	
Solid Door	F73/072 SS	
Glazed Door	F73/073 SS	
Options	Qty Required	Part No
Bottle Basket	4	A12/089
Divider Pack	1	S73/010
Internal Light Pack	1	VS321

Standard Worktop	BM100 STD	
External Dimensions (h x w x d)	875mm x 1000mm x 560mm	
Packing Dimensions (h x w x d)	1100mm x 1040mm x 600mm	
Weight (Kg) - Unpacked	88.5	
Weight (Kg) - Packed	94	
Storage Capacity (330 ml Bottles)	210	
Internal Operating Temp (°C)	+ 4 (±2)	
Ambient Temp (°C)	upto + 32	
Voltage (Volts)	230	
Frequency (Hz)	50	
Phase	Single	
Current Draw (Amps)	1.6	
Refrigerant Type	R134 A	
Product Codes	Part No	
Solid Door	F73/100	
Glazed Door	F73/101	
Options	Qty Required	Part No
Bottle Basket	6	A12/089
Divider Pack	1	S73/110
Internal Light Pack	1	VS321

Bartender Worktop	BM100 BT	
External Dimensions (h x w x d)	950mm x 1000mm x 560mm	
Packing Dimensions (h x w x d)	1100mm x 1040mm x 600mm	
Weight (Kg) - Unpacked	88.5	
Weight (Kg) - Packed	94	
Storage Capacity (330 ml Bottles)	210	
Internal Operating Temp (°C)	+ 4 (±2)	
Ambient Temp (°C)	upto + 32	
Voltage (Volts)	230	
Frequency (Hz)	50	
Phase	Single	
Current Draw (Amps)	1.6	
Refrigerant Type	R134 A	
Product Codes	Part No	
Solid Door	F73/102	
Glazed Door	F73/103	
Options	Qty Required	Part No
Bottle Basket	6	A12/089
Divider Pack	1	S73/110
Internal Light Pack	1	VS321



Standard Worktop	BM140 STD	
External Dimensions (h x w x d)	875mm x 1400mm x 560mm	
Packing Dimensions (h x w x d)	1100mm x 1440mm x 600mm	
Weight (Kg) - Unpacked	113	
Weight (Kg) - Packed	120	
Storage Capacity (330 ml Bottles)	308	
Internal Operating Temp (°C)	+ 4 (±2)	
Ambient Temp (°C)	upto + 32	
Voltage (Volts)	230	
Frequency (Hz)	50	
Phase	Single	
Current Draw (Amps)	1.75	
Refrigerant Type	R134 A	
Product Codes		
	Part No	
Solid Door	F73/140	
Glazed Door	F73/141	
Options		Part No
Bottle Basket	10	A12/089
Divider Pack	1	S73/210
Internal Light Pack	1	VS322

Bartender Worktop	BM140 BT	
External Dimensions (h x w x d)	950mm x 1400mm x 560mm	
Packing Dimensions (h x w x d)	1100mm x 1440mm x 600mm	
Weight (Kg) - Unpacked	113	
Weight (Kg) - Packed	120	
Storage Capacity (330 ml Bottles)	308	
Internal Operating Temp (°C)	+ 4 (±2)	
Ambient Temp (°C)	upto + 32	
Voltage (Volts)	230	
Frequency (Hz)	50	
Phase	Single	
Current Draw (Amps)	1.75	
Refrigerant Type	R134 A	
Product Codes		
	Part No	
Solid Door	F73/142	
Glazed Door	F73/143	
Options		Part No
Bottle Basket	10	A12/089
Divider Pack	1	S73/210
Internal Light Pack	1	VS322

Notes

Imperial Machine Company
 Unit 1 Abbey Road
 Wrexham Industrial Estate
 Wrexham
 LL13 9RF
 United Kingdom

Tel: +44 (0)1978 661155
 Fax: +44(0)1978 729990
 Email: mail@imco.co.uk
 www.imco.co.uk

IMC reserves the right to make changes without prior notification

imc
 fresh thinking