

IVC7000

In Vessel Composter



Model no: IVC7000

Part no: F75/020

Description:
In Vessel Composter (large)

Features:
Processing capacity approx 400 - 1,000kg
food waste (dry) per week.

The IVC7000 enables larger sized commercial catering establishments to eliminate food waste disposal costs and convert the waste into a valuable resource whilst also caring for the environment in a responsible way.

The IVC7000 recycles mixed catering food waste, that has first been macerated and dewatered, in to a high quality compost at a rate of approx 20 - 50kg compost per tonne of food waste.

Food Waste to Resource

imc

Specification

Model	IVC7000
Max Capacity (kg)*	2,227
Capacity volume (cu m)	3,977
Capacity volume (litres)	3,977
No. kgs food waste (dewatered) / week*	400-1,000
Pellets - weekly max included in above (kg)	80-200
No. tonnes food waste / annum*	20-52
Measurements - IVC	
Length (mm)	4,400
Width (mm)	1,400
Height (mm)	1,690
Weight – empty (kg)	1,150
Max weight – full (kg)	3,377
Measurements - hopper	
Length (mm)	785
Width (mm)	800
Height (mm)	1,450
Loading height (mm)	1,020
Capacity volume (cu m)	0.052
Capacity volume (litres)	52
Capacity (kg)	40

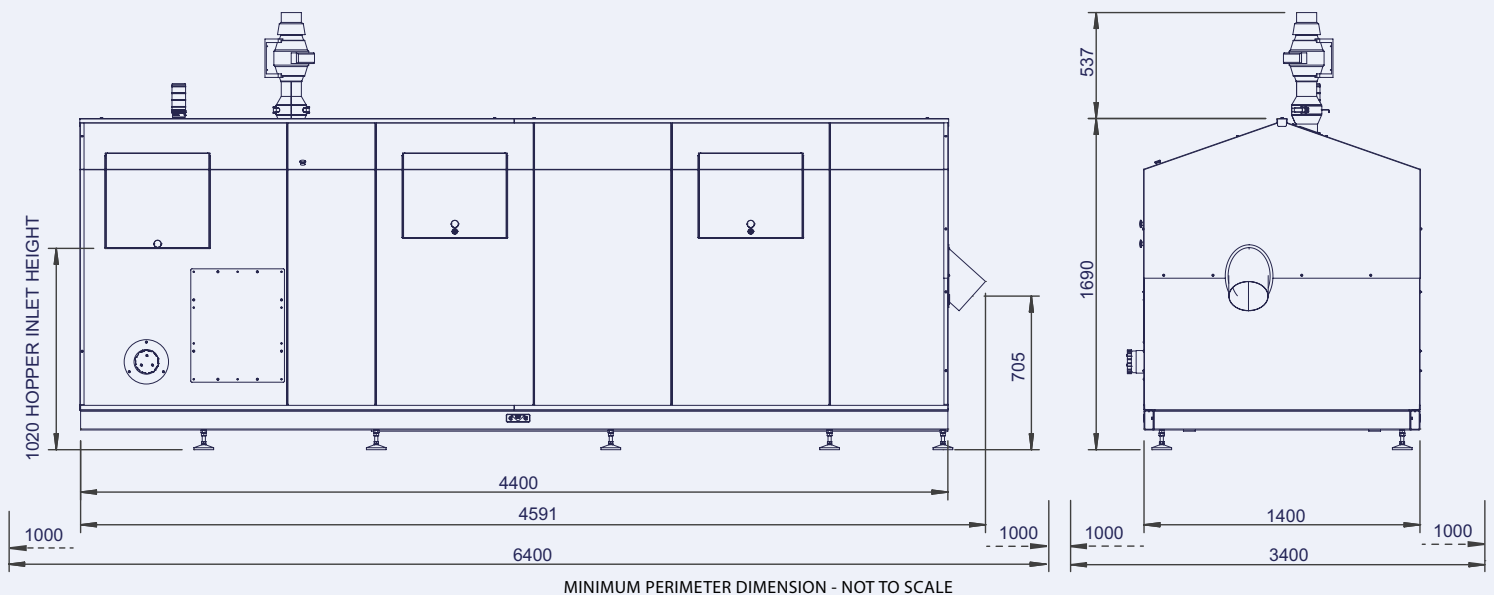
Connections	
To ventilation (mm)	110
To drainage (mm)	54
Outlet height (mm)	705
No. of feet	10
Electrical supply & Operation	
Voltage range	380-415
Phase (5 wire supply)	3 phase
Frequency (Hz)	50
Amps (max)	16
Decibel (dB) during operation	55
Memory stick capacity (Gigabyte, Gb)	1
Motor – compost cylinder (kW)	1.1
Motor – hopper auger (kW)	0.55
Fan (kW)	0.04
Air Heater (kW)	0.5
Heater blanket (kW)	2
Total (kW)	4.19

* The above max capacities are an indication only and should be calculated for each individual site. The max capacity of the IVC is influenced by a number of variable factors including but not limited to:-

- content / mix of food waste
- WastePro auger screen type
- IVC fill level
- IVC drum stir time, dwell time and filling ratio
- IVC fan speed
- biological process



Technical Specification



Imperial Machine Company Limited

Unit 1 Abbey Road, Wrexham Industrial Estate
 Wrexham LL13 9RF United Kingdom
 Tel: +44 (0)1978 661155 Fax: +44 (0)1978 729990
 Email: sales@imco.co.uk Web: www.imco.co.uk



Food Waste to Resource

