



**MF-RANGE**

**INSTALLATION AND OPERATING MANUAL**  
**PLEASE LEAVE WITH OPERATOR**



**MF5, MF10 & MF15 – SERIES 3**

Imperial Machine Company Limited  
Unit 1, Abbey Road  
Wrexham Industrial Estate  
Wrexham LL13 9RF  
Tel: +44 (0)1978 661155  
Fax: +44 (0)1978 729990  
Service Fax: +44 (0)1978 667766  
Spares Fax: +44 (0)1978 667759  
E-mail: [info@imco.co.uk](mailto:info@imco.co.uk)  
Website: [www.imco.co.uk](http://www.imco.co.uk)

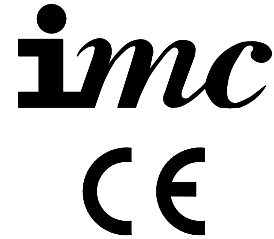
**A34/003 R5**

**ECN 8336 Sept 2015**

**EC DECLARATION OF CONFORMITY**

(Guarantee of Production Quality)

We, Imperial Machine Company Limited of:  
Unit 1, Abbey Road, Wrexham Industrial Estate, Wrexham, LL13 9RF  
Declare under our sole responsibility that the machine

**MF5, MF10 & MF15 – SERIES 3**

As described in the attached technical documentation is in conformity with the Machine Safety Directive 89/392/EEC as amended by 91/368/EEC and 93/44/EEC and is manufactured under a quality system BS EN ISO 9001. It is also in conformity with the protection requirements of the Electro Magnetic Compatibility Directive 89/336/EEC and is manufactured in accordance with harmonised standards EN 55014-1 Emission and EN 55014-2 Immunity (plus product specific standards).

It also satisfies the essential requirements of the Low Voltage Directive 73/23/EEC amended by 93/68/EEC and is manufactured in accordance with standards BS EN 60335-1 and BS EN 60335-2-64.

Approved by E Plumb, Engineering Manager

A handwritten signature in black ink, appearing to read 'E Plumb', is positioned above the printed name.

Signed at Wrexham, Date

September 2015

**INDEX**

<b>GUARANTEE .....</b>	<b>1</b>
<b>DELIVERY .....</b>	<b>1</b>
<b>SAMPLE RATING LABEL .....</b>	<b>1</b>
<b>INTRODUCTION .....</b>	<b>2</b>
<b>DIMENSIONS .....</b>	<b>2</b>
<b>MF5 .....</b>	<b>2</b>
<b>MF10 on stand.....</b>	<b>3</b>
<b>MF15 on stand.....</b>	<b>3</b>
<b>PROCEDURE .....</b>	<b>4</b>
<b>MF5 Bench installation.....</b>	<b>4</b>
<b>MF5 Bench mounting points.....</b>	<b>4</b>
<b>Stand installation.....</b>	<b>4</b>
<b>ELECTRICITY SUPPLY CONNECTION .....</b>	<b>5</b>
<b>WATER SUPPLY .....</b>	<b>6</b>
<b>COMMISSIONING .....</b>	<b>6</b>
<b>OPERATION.....</b>	<b>7</b>
<b>OPTIONAL PLATES .....</b>	<b>8</b>
<b>Plate order numbers .....</b>	<b>8</b>
<b>SAFETY.....</b>	<b>9</b>
<b>CLEANING .....</b>	<b>9</b>
<b>MAINTENANCE .....</b>	<b>10</b>
<b>DO'S AND DON'TS.....</b>	<b>10</b>
<b>ORDERING SPARE PARTS .....</b>	<b>10</b>
<b>MATERIAL CONTENT .....</b>	<b>10</b>

## GUARANTEE

This equipment is guaranteed by IMC for 2 years from the date of its purchase from IMC, or from one of its stockists, dealers or distributors. The guarantee is limited to the replacement of faulty parts or products and excludes any consequential loss or expense incurred by purchasers. Defects which arise from faulty installation, inadequate maintenance, incorrect use, connection to the wrong electricity supply or fair wear and tear are not covered by the guarantee.

Please observe these instructions carefully.

The guarantee applies in this form to installations within the United Kingdom.

## DELIVERY


The packaged machine consists of:

Peeler Unit	1
Peeling plate	1
Stand and filter basket	1 (MF10 and MF15 only)
Water supply pipe and fixings	1
Instruction Booklet	1

Please notify both the carrier and the supplier within three days of receipt if anything is missing or damaged.

Check that the correct machine has been supplied and that the voltage, marked on the rating plate, is suitable for the supply available. The rating plate is located at the back of the cylinder near the supply cable inlet.

## SAMPLE RATING LABEL

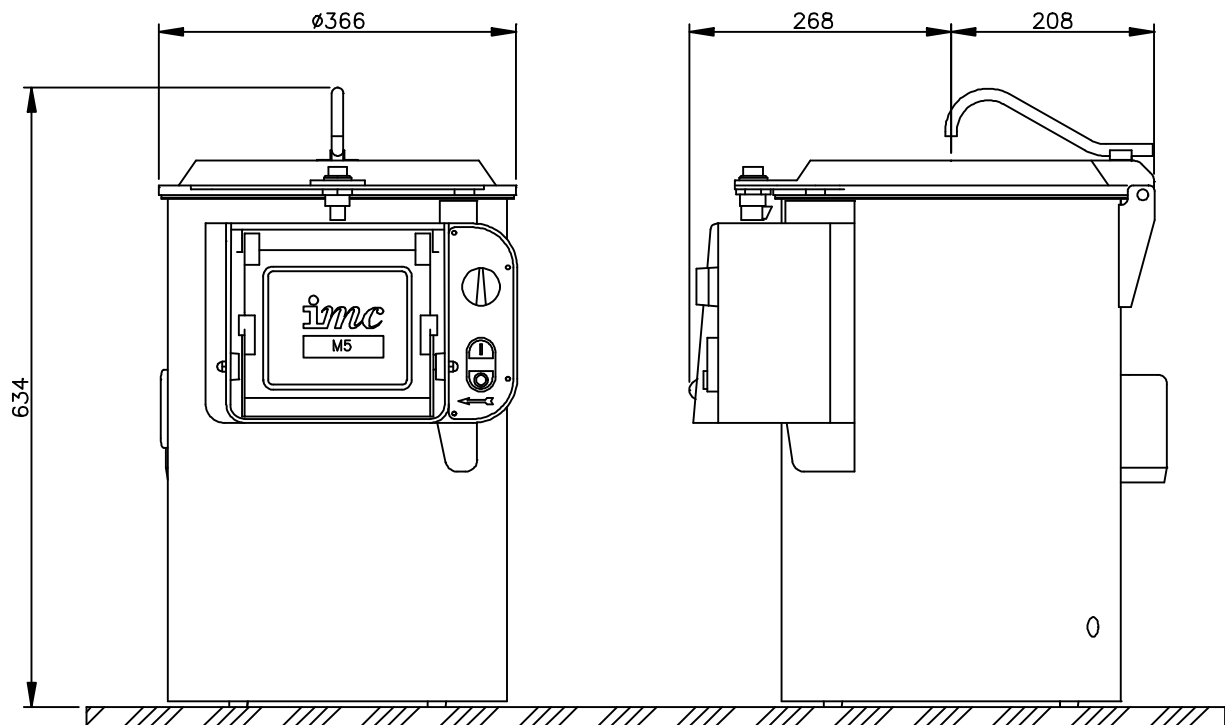
<b>imc</b>		IMPERIAL MACHINE COMPANY Ltd		
		LL13 9RF, UNITED KINGDOM		
		TEL +44 (0)1978 661155		
MULTI-FUNCTIONAL PEELER		FREQUENCY(Hz)	50 (60)	www.imco.co.uk
TYPE / MODEL	MF15	IP RATING	IP55	
VOLTAGE RANGE	230 (208)	dB (A)	62	
PHASE	3	AMPS (MAX)	2.0	
SERIES #	2	kW (MAX)	.55(.50)	
SERIAL NUMBER = 5911110001				

## INTRODUCTION

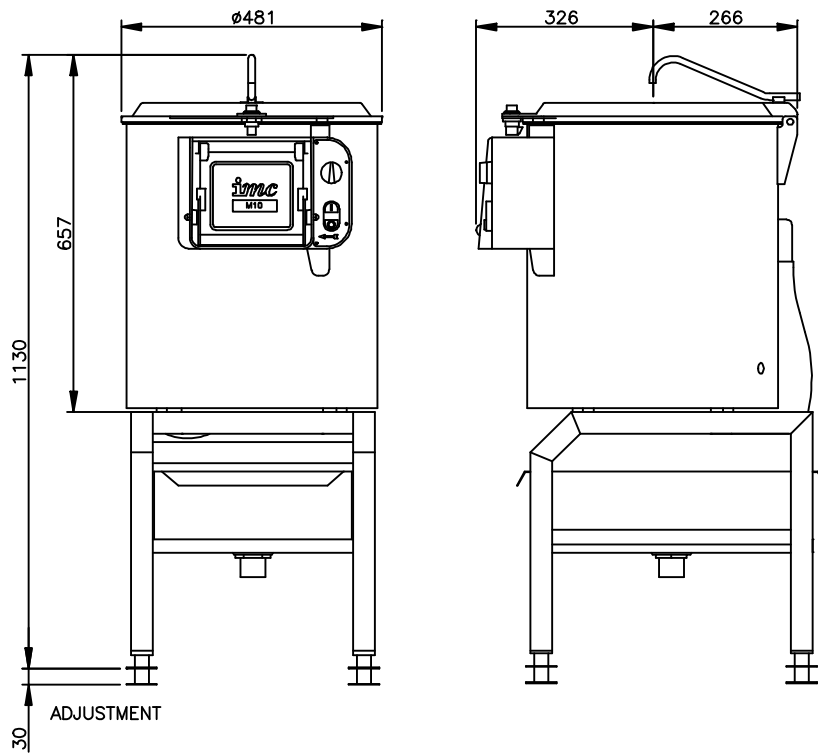
This machine is intended for peeling and washing root vegetables, cleaning mussels and drying salad.

## DIMENSIONS

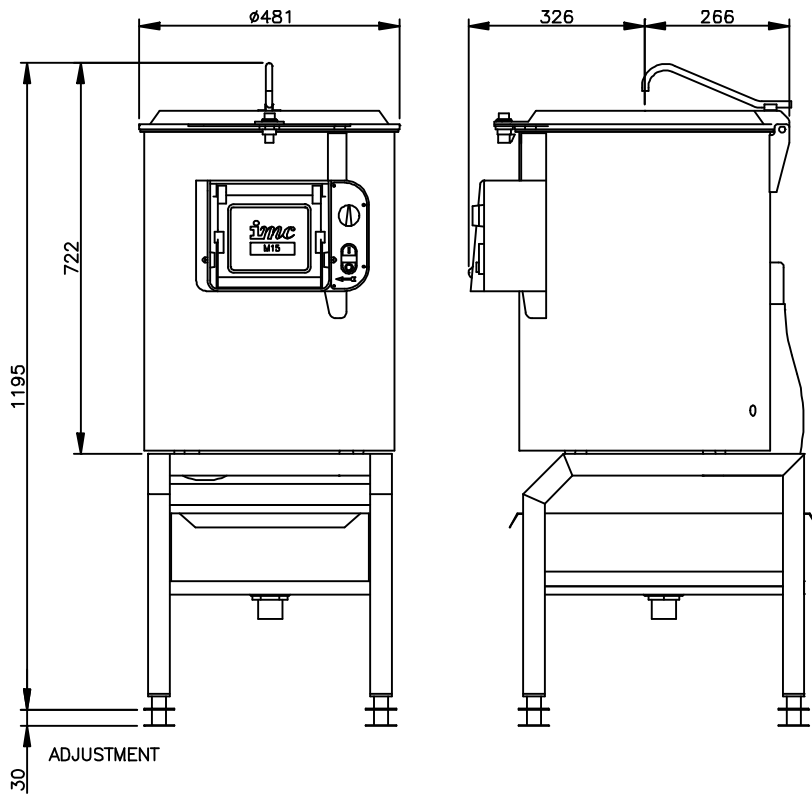
### MF5



MF10 on stand



MF15 on stand



## INSTALLATION

### For the Installer:

These Instructions contain important information designed to help the user obtain the maximum benefit from the investment in an IMC MF Peeler.

Please read them carefully before starting work, and consult with the supplier in the event of any queries.

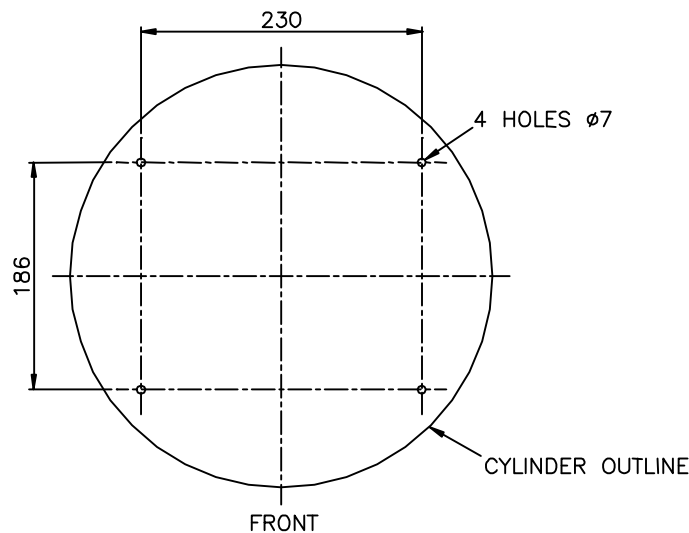
Be sure to leave this Instruction Manual with the user after installation of the machine is complete.

### Procedure

#### MF5 Bench installation

The MF5 is designed to stand on a bench, table, or on a draining board. **DO NOT** mount or operate the unit in a sink. Ensure that whatever is used for this purpose is sturdy and rigid and not more than 750 mm high. A higher table makes it difficult to load the machine. If the bench is sloping, or on a ship, the machine should be bolted to the bench using four M6x25 bolts and washers. All models are supplied with the waste pipe at the back, a longer pipe is available for MF5 bench top locations. A stainless steel stand, which includes a filter basket is available as an option.

#### MF5 Bench mounting points



#### Stand installation

The MF10 & MF15 are supplied mounted on floor standing stands that incorporate filter baskets. The stand should be levelled using the adjustable feet. It is possible to fix the stand to the floor, if required, by screwing through to holes in the feet.

The waste is discharged from the waste hose via a Filter Basket into the drain tray of the stand, which has a 38mm waste pipe connection. This pipe may either discharge into a gully beneath the machine or it may be connected via a shallow seal waste trap and fixed pipework into the waste water system of the building.

## ELECTRICITY SUPPLY CONNECTION

All electrical work must be carried out by a qualified electrician and in accordance with the IEE Codes of Practice. Before connecting, examine the rating plate attached to the machine to ensure that the characteristics shown are correct for the supply available. The peeler should be connected to a 30A isolator providing at least 3mm separation in all poles, ensure that the isolator is accessible with the peeler in place. The isolator should be fused at the ratings shown below:

Supply	MF5	MF10	MF15
230V . 1 . 50	10A	15A	15A
400V . 3 . 50	-	4A	4A
230V . 3 . 50	-	15A	15A
208V . 3 . 60	-	15A	15A

The supply to the machine must also be protected by a 30mA RCD.

A new mains supply run to the machine should always be undertaken by an approved electrician. The IEE Codes of Practice must be observed.

The mains lead fitted to the machine is the minimum required for individual connection to the mains supply. Site conditions may vary with additional length of cable run, encapsulation in trunking, bunched with other cables etc. being required. Should this apply, the qualified electrician must alter the lead accordingly in accordance with the IEE Codes of Practice.

### **WARNING: This machine must be earthed**

The wires in the mains lead for single phase supply are coloured:

Green and Yellow	Earth
Brown	Live
Blue	Neutral

The wires in the mains lead for three phase supply are coloured:

Green and Yellow	Earth
Black	Phase 1
Blue	Phase 2
Brown	Phase 3

The 3 phase machines do not have a neutral wire, if the supply has a neutral wire isolate it and only wire the unit to the 3 phases and earth.

An equipotential bonding terminal is provided at the back of the unit near the cable outlet for external earth bonding. Provision of an earth bond does not remove the requirement for an earth in the electrical supply.



## **WATER SUPPLY**

The water pipe is packed inside the machine for transit and should be fitted to the top of the lid using the screws provided.

The water supply pipe should be connected to an adjacent cold water supply using an IMC Inlet Hose Kit (Part No S58/062) or a 12mm (1/2") bore hose.

**PLEASE NOTE:** these machines are fitted with a Type A air-break to prevent back syphonage into the mains supply, but some local authorities may nevertheless require connection to a storage cistern rather than direct to the mains supply. This applies to UK installations, overseas customers should install the machine in accordance with local regulations.

## **IF IN DOUBT, CHECK WITH YOUR LOCAL AUTHORITY**

## **COMMISSIONING**

After making the electrical connection, switch on the machine, and ensure that the unit will only run with the lid and the chute door closed. Then check that the direction of rotation of the shaft is **CLOCKWISE** when viewed from above.

The direction of rotation of single phase units is set at the factory, if it is not rotating in the correct direction contact IMC. To change the direction of rotation of three phase units, switch off the machine, isolate the supply and interchange any two phase wires.

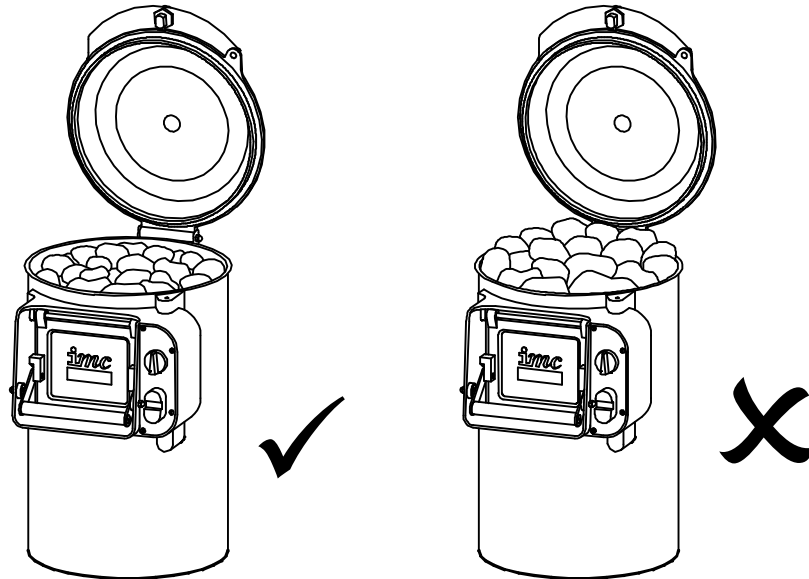
## OPERATION

MF Range Universal Peelers are particularly easy to use, and feature a safety specification that prevents the operator touching any moving parts during operation.

### The operating procedure is as follows:

- 1 Fit the appropriate bottom plate, ensuring that it is properly located on the drive shaft.
- 2 Load the peeling chamber with the vegetables to be peeled.

**WARNING - do not fill the chamber above the top of the cylinder:**



- 3 Close the lid and switch on the water at the tap to a steady flow. Experience will suggest how much water is required: if too little water is used waste will collect underneath the bottom plate; if too much water is used it will splash out of the opening in the lid.
- 4 Switch the timer on the control panel to the time desired - two minutes is normally more than adequate - and press the green start button. The machine is now operating.
- 5 On completion of the cycle, switch off the water supply, open the chute door and while keeping the door open, press the start button. This will discharge the potatoes only when the start button is depressed.



**ON NO ACCOUNT** put a hand or implement into the machine, or wedge the door open while discharging.

## OPTIONAL PLATES

- 1 **Washing Plate** - used for washing new crop potatoes and carrots, or main crop potatoes that are to be cooked without peeling, for example jacket potatoes. Cannot be used with liner versions.
- 2 **Mussel Washing Plate** - this plate cleans all but the most stubborn dirt from mussels prior to cooking. Cannot be used with liner versions.
- 3 **Knife Peeling Plate** - used for achieving a smoother finish on, particularly, potatoes and carrots. A filter basket (or sink skip) must be used. Cannot be used with liner versions.
- 3 **Onion Peeling Plates** - for peeling onions and shallots. A filter basket (or sink skip) must be used. Cannot be used with liner versions.
- 4 **Salad Spinning Basket** - gently spins excess moisture from lettuce leaves after washing.

### Plate order numbers

Extra plates can be purchased from your machine supplier or direct from IMC using the following part numbers

Plate	MF5	MF10	MF15
Standard Peeling Plate	S59/163	S59/164	S59/164
Washing Plate	S59/172	S59/173	S59/173
Mussel Washing Plate	S59/174	S59/175	S59/175
Knife Peeling Plate	S59/167	S59/168	S59/168
Onion Peeling plate	S59/165	S59/166	S59/166
Salad Spinning Basket	S59/169	S59/170	S59/171

## SAFETY

All MF-Range machines are fitted with a number of safety features to prevent operator injury.

**No-volt release:** If the electricity supply is interrupted the machine will not restart until the green start button is pressed again.

**Lid interlock:** If the lid is opened during operation the motor automatically cuts out and cannot be restarted until the lid is closed and the green start button has been pressed.

**Door interlock:** If the chute door is opened during operation the motor automatically cuts out and cannot be restarted until the chute door is closed and the green start button has been pressed. To discharge the door must be held open and the green button depressed ensuring two handed operation.

**Door baffle:** An inner door baffle prevents the operator reaching into the peeling chamber through the discharge door.

## CLEANING

It is essential to clean the machine at least once a day, preferably at the end of each period of operation.

- 1 Switch off at the socket or isolator.
- 2 Open the peeler chamber lid.
- 3 Lift out the peeling plate.
- 4 Clean the peeling plate in a sink, dishwasher, potwash or by hosing with a spray.
- 5 Rinse the inside of the peeling chamber, door and lid with warm water, using a mild detergent if necessary. Do not forget to clean the area between the two doors.
- 6 Wipe the exterior of the machine with a damp cloth, again using a mild detergent if required.

**DO NOT USE CLEANING MATERIALS CONTAINING ABRASIVES OR BLEACHES. DO NOT STEAM CLEAN**

## MAINTENANCE

Other than regular cleaning the MF-Range peelers require no maintenance by the end user. It is recommended that the unit is serviced by an IMC approved engineer at least once a year

Details of IMC Service Contracts are available on application.

## DO'S AND DON'TS

- Do** Install on a level service.
- Do** Ensure power supply isolator is accessible with the peeler installed.
- Do** Clean the machine after use.
- Don't** Sit or stand on top of the peeler.
- Don't** Place hands inside unit while discharging.
- Don't** Use the unit outside.

## ORDERING SPARE PARTS

In the event that spare parts or accessories need to be ordered, please always quote the SERIES AND SERIAL NUMBER of the machine. This is to be found on the rating plate located near the supply cable.

For installations outside the UK please contact your supplier.

For information on IMC spares and service support (if applicable), please call IMC on +44 (0)1978 661155. Alternatively, contact us via email or fax:

IMC Service Desk	Fax: +44 (0)1978 667766 E-mail: <a href="mailto:service@imco.co.uk">service@imco.co.uk</a>
------------------	---

IMC Spares Desk	Fax: +44 (0)1978 667759 E-mail: <a href="mailto:spares@imco.co.uk">spares@imco.co.uk</a>
-----------------	---

## MATERIAL CONTENT

The MF-Range peelers contain the following materials

Metals	Stainless steel, Mild steel (inc plated), Aluminium and copper.
Plastics and rubber	Polycarbonate, Nylon, Neoprene rubber.
Other	Aluminium oxide, electrical components.